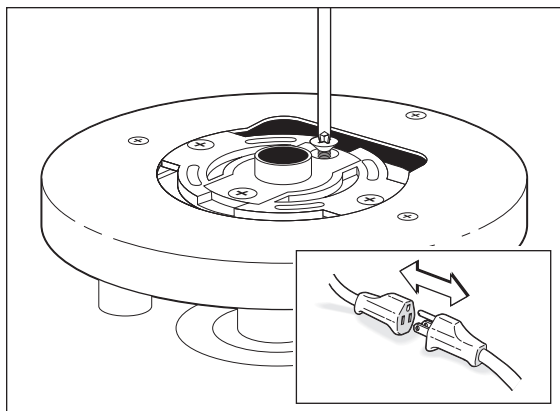


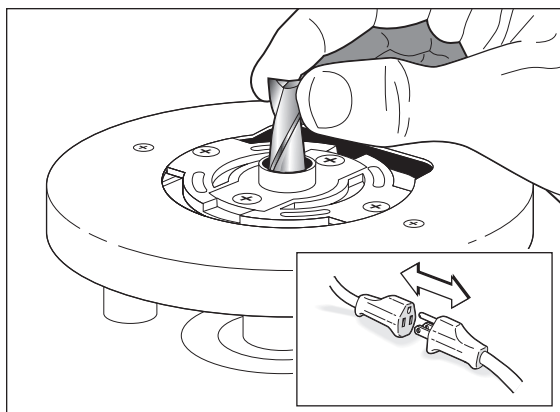
How Routers with Guidebuses Work

Chapter Foreword

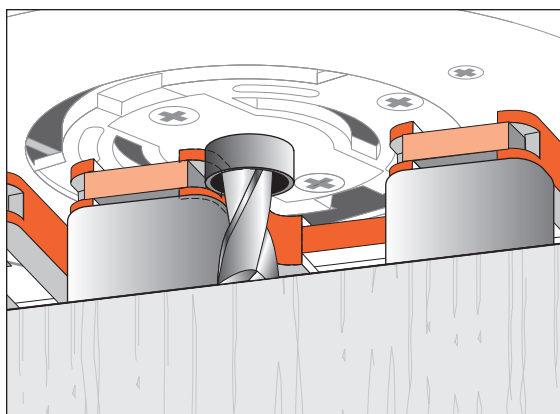
The guidebush is the vital link between router and jig. Here's how it works.

**4-1**

The guidebush attaches to the base of the router and is fixed. It does not rotate.

**4-2**

The cutter or bit goes through the guidebush and fits in the router collet or chuck.

**4-3**

The projecting part of the guidebush runs along the side edge of a guide. The rotating cutter cuts the wood only, and touches neither the guidebush nor the guide surface.

Note: $\frac{7}{16}$ " guidebushes in the $\frac{5}{16}$ " mode should not project more than $\frac{1}{4}$ " [6,5mm] from the router base. File to shorten as required.

