

LEIGH DOVETAIL JIG - MODELS TD 514 AND TD 514-L

PARTS LIST

PLEASE CHECK PARTS LIST TO ENSURE THERE ARE NO SHORTAGES. IF SOMETHING IS MISSING NOTIFY YOUR DEALER IMMEDIATELY.

PART NO.	QUANTITY		DESCRIPTION
	TD 514	TD 514-L	
110	1	1	MAIN EXTRUSION
116	11	14	FINGERS L.H. (One supports slide bar, not operative)
121	11	14	FINGERS R.H. (One supports slide bar, not operative)
125	22	28	FINGER NUTS
130	22	28	*FINGER SCREWS (8-32 UNC Flathead Socket x 3/4")
135	1	1	TOP SLIDE BAR
140	1	1	*SHIM BAR
145	20	20	*SHIMS
150	2	2	CLAMP BARS
155	2	2	CLAMP BAR STUD
160	4	4	CLAMP BAR KNOBS
165	4	4	*STUD NUTS (1/4" - 20 UNC 514) (5/16" - 18 UNC 514-L)
170	4	4	*LOC WASHERS (1/4" 514) (5/16 514-L)
176	2	2	SIDE STOP PINS
180	4	4	CLAMP BAR SPRINGS
185	2	2	END CAP, MAIN EXTRUSION
190	4	4	END CAP, CLAMP BAR
195	2	2	*SCREW, SUPPORT BAR 1 1/4" x 10 GA
200	1	1	*FINGER SCREW DRIVER NO. 2 SQ DRIVE

* THESE PARTS AND MATERIALS MAY BE AVAILABLE LOCALLY IF REPLACEMENT IS REQUIRED OTHER THAN FOR WARRANTY.

When ordering spare parts from your supplier, always give the following information : 1. Model number

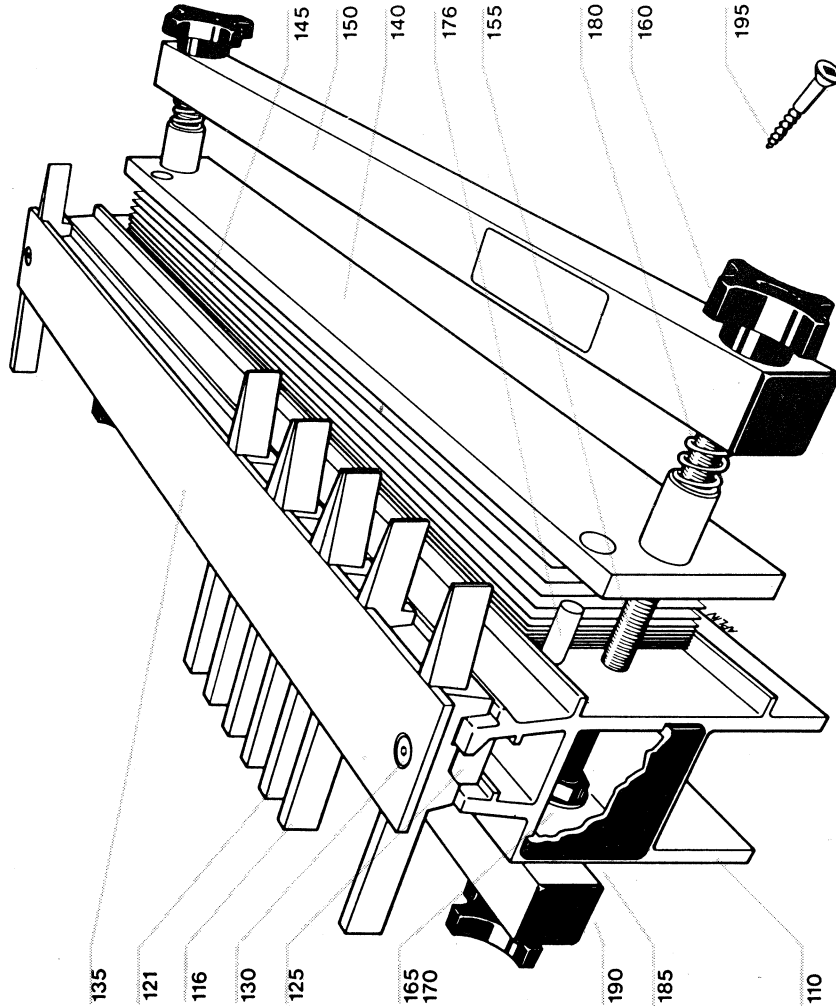
2. Part number

3. Part description

e.g. "TD 514-L - 121 - FINGER R. H."

Spare parts can only be purchased through the original supplier or other participating dealers. If any difficulty is experienced in obtaining parts, please contact Leigh Industries Ltd. direct.

Your Leigh Dovetail Jig has been manufactured to the highest quality standards, take good care of this tool and always follow the instructions carefully and it will serve you long and well.



WARRANTY :

Your Leigh TD 514 Dovetail Jig is fully guaranteed against any manufacturing defects for one full year from the date of purchase. During this period Leigh Industries agrees to repair or replace any TD 514 parts which our examination proves to be defective. Just return the part in question prepaid to your supplier, or direct to Leigh Industries, we will return the new or repaired part surface mail prepaid.

This guarantee does not include repair or replacement required because of misuse, abuse or fair wear and tear. Repairs made by other than our factory relieves Leigh Industries of further liability under this guarantee. The warranties herein are expressly in lieu of all other express or implied warranties and of any other obligation on the part of the manufacturer and distributor.