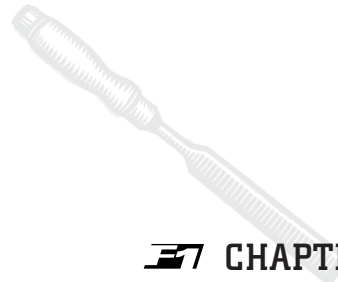
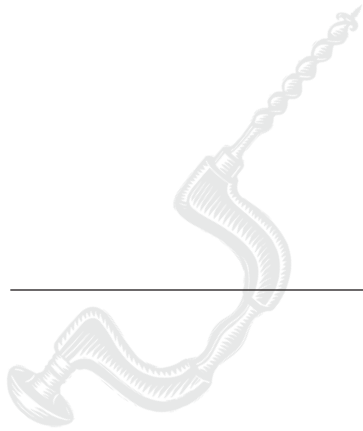
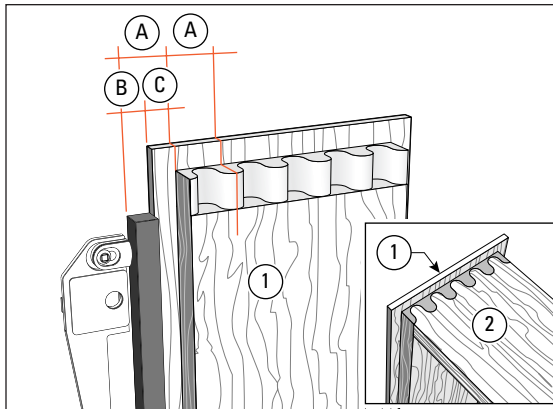


# Rabbetted Half-Blind Finger Joints

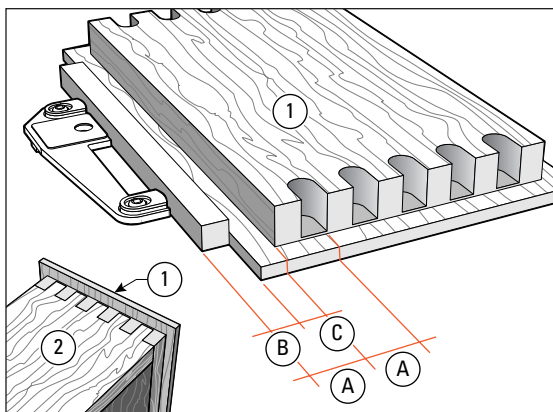






### 9-1 Rabbed Half-Blind Finger Joints

Rabbed drawer fronts ① and the mating sides ② have to be blocked away from the side stops. Block drawer sides ② away from the side stops by one complete comb pitch (A). Block the drawer front ① away by (B) which is comb pitch (A) minus rabbet width (C).



### 9-2

The same rule applies to rabbed square box joints.

