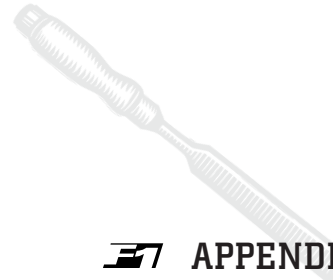
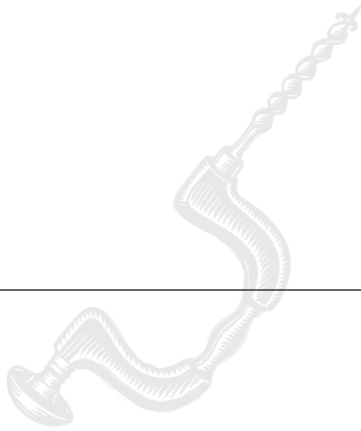

Template Parts List

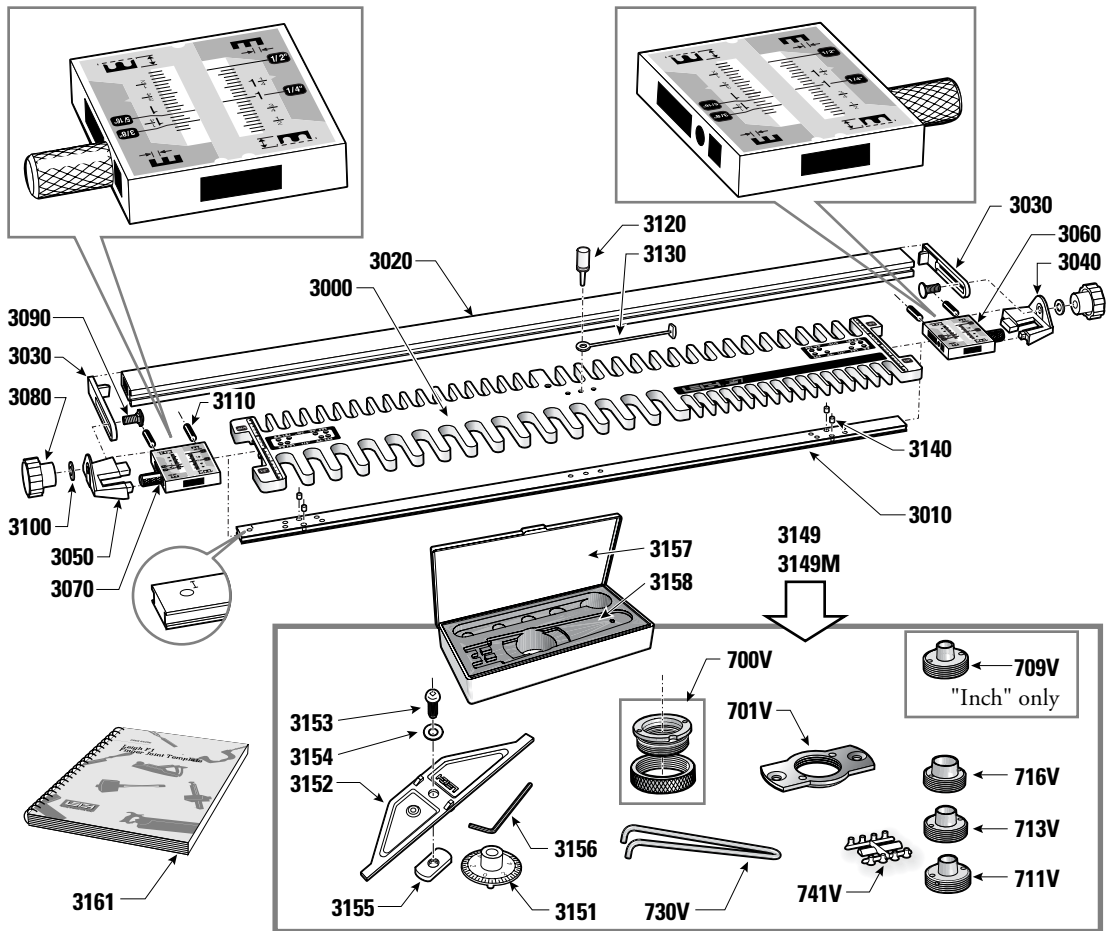


Appendix III F1 User Guide

When ordering parts, please quote the Template model (inch or metric), serial number, part number, part description and quantity required.

PART NO.	QUANTITY PER TEMPLATE	PART DESCRIPTION
3000	1	"Inch" Template with decals
3000M	1	"Metric" Template with decals
3010	1	"Inch" Template Bar with glides (3140)
3010M	1	"Metric" Template Bar with glides (3140)
3020	1	Fence with brackets (3030)
3030	2	Fence Brackets
3040	1	RH Scale Bracket (RH in 1/2" & 1/4" mode) with screws (3110)
3050	1	LH Scale Bracket (LH in 1/2" & 1/4" mode) with screws (3110)
3060	1	RH Scale Assembly (RH in 1/2" & 1/4" mode) with screws (3110)
3060M	1	RH Scale Assembly (RH in 12mm mode) with screws (3110)
3070	1	LH Scale Assembly (LH in 1/2" & 1/4" mode) with screws (3110)
3070M	1	LH Scale Assembly (LH in 12mm mode) with screws (3110)
3080	2	Fence Knobs
3090	2	Fence Knob Bolts
3100	2	Fence Knob Wavy Washer
3110	4	Set Screws for Scale Bar and Bracket
3120	1	Template Pin with Tie (3130)
3130	1	Template Pin Tie
3140	4	Template Bar Glides
3149	1	F1 VGS Set complete, inch
3149M	1	F1 VGS Set complete, metric
3151	1	Dial Knob
3152	1	Side Stop Locator
3153	1	Side Stop Locator Screw
3154	1	Side Stop Locator Washer
3155	1	Tab Nut (used on Model D1258 jig only)
3156	1	Allen Wrench for Set Screws
3157	1	VGS Box
3158	1	VGS Box Liner
3161	1	F1 User Guide, inch & metric
700V	1	VGS Holder (2 pieces)
701V	1	VGS Holder
709V	1	VGS Bush for 1/4" Comb - for "Inch" template only
711V	1	VGS Bush for 5/16" [8mm] Comb
713V	1	VGS Bush for 3/8" [10mm] Comb
716V	1	VGS Bush for 1/2" [12mm] Comb
730V	1	Pin Wrench for VGS
741V	8	Nylon Thread-Inserts for VGS (on tree)

F1 Template "Inches"



F1 Template "Metric"

