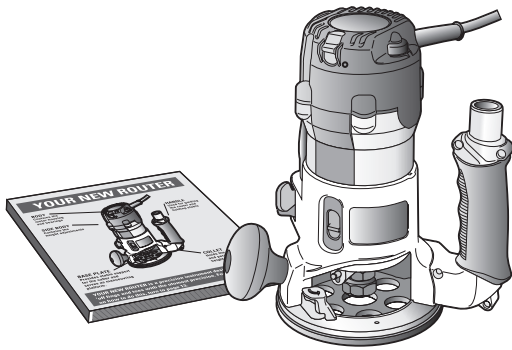


Using Your Jig Safely

Safety is not optional.

*Read and follow the recommendations
in this chapter.*



**5-1**

Read the owner's manual that came with your router. It is essential to understand the router manufacturer's instructions completely.


5-2

Most importantly, always wear approved safety glasses when using a router.

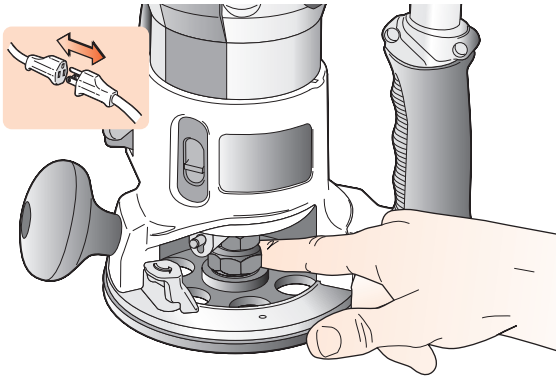
Always wear hearing protection when using a router.

Protect yourself from harmful dust by wearing a face mask.

**5-3**

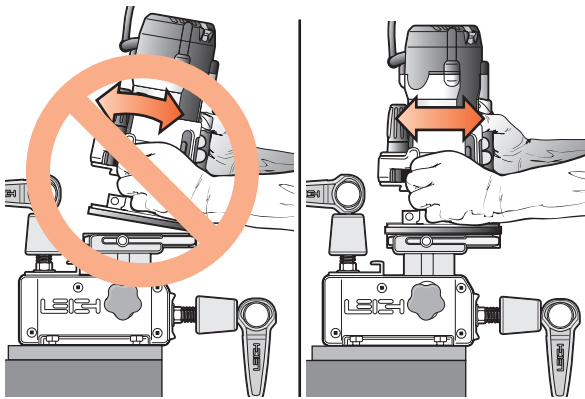
 Never drink alcohol or take medications that may cause drowsiness when you will be operating a router.



**5-4**

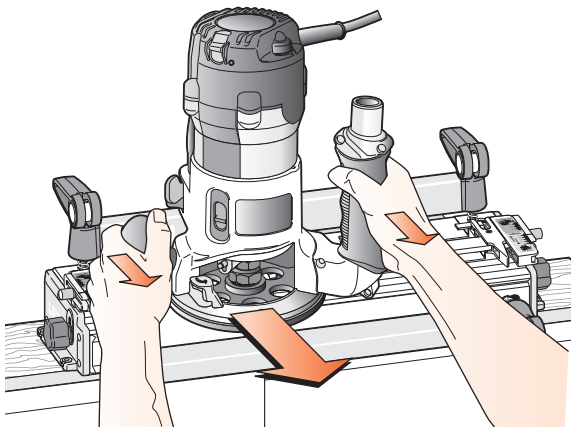
Always disconnect the power source from the router when fitting cutters or guidebushes, or making adjustments.

Before connecting the router to the power source, make sure the cutter and collet revolve freely in all the areas you plan to rout, and the cutter does not touch the guidebush or jig.

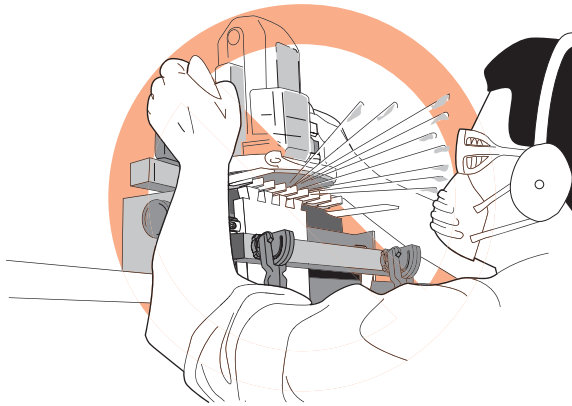
**5-5**

Do not tilt the router on the jig.

Keep the router flat on the jig assembly.

**5-6**

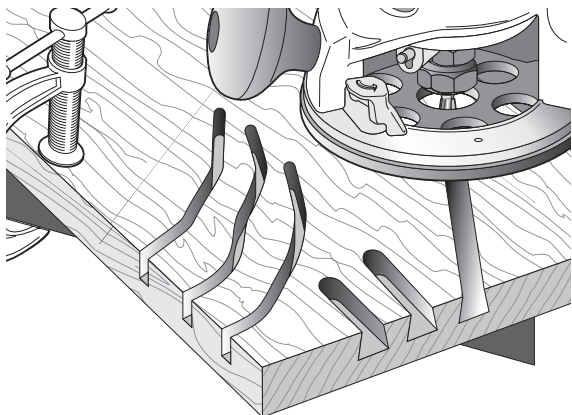
If you insist on removing the router from the jig while it is still revolving, always pull it straight off the jig horizontally, and do not raise or lower the router until it is completely clear of the jig.

**5-7**

Do not rout at face level.

**5-8**

Never release the router plunge mechanism when using dovetail cutters. Check if your plunge router has a stop nut to prevent this from happening accidentally.

**5-9**

If you have never used your router before, be sure to follow the router manufacturer's instructions for its use. Make plenty of simple open-face practice cuts *without a guidebush* before you try to use the router on the Leigh jig. You must, of course, **always** use a **guidebush** when routing on the Leigh Jig. ■